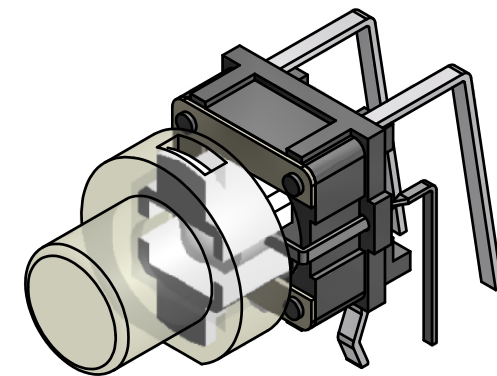
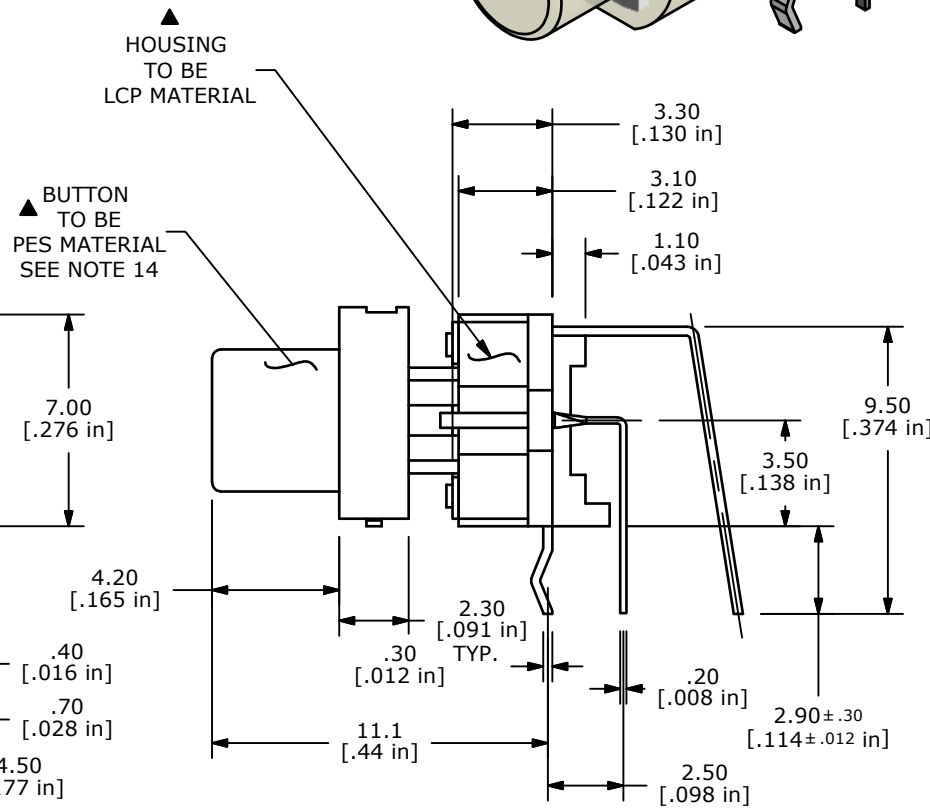
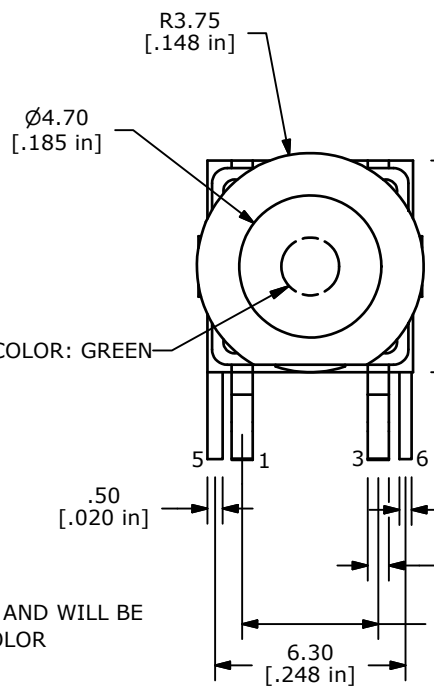


LED SPECS	UNITS	GREEN
FORWARD CURRENT	mA	20 TYP.
FORWARD VOLTAGE	V	2.1 TYP. - 2.5 MAX.
LUMINOUS INTENSITY	MCD	800 TYP.



- NOTES:
- ALL DIMENSIONS IN MM [INCH]
 - GENERAL TOLERANCE: X.X=±0.4
X.XX=±0.25
 - RATING: 12VDC @ 50mA
 - CONTACT RESISTANCE: 100mΩ MAX.
 - INSULATION RESISTANCE: 100MΩ MIN.
 - ▲ OPERATING FORCE: 160± 50gf
 - TRAVEL: 0.2± 0.1mm
 - OPERATING TEMPERATURE: -20°C TO 70°C
 - OPERATING LIFE 500,000 CYCLES
 - ▲ LED COLOR: GREEN
 - ▲ DENOTES CRITICAL PARAMETER
 - 2002/95/EC (ROHS) COMPLIANT
 - PACKAGE: 100 PIECES PER TRAY
 - ▲ BUTTON COLOR: BUTTON TO BE TRANSPARENT AND WILL BE WATER CLEAR TO A POSSIBLE YELLOW TINT COLOR
 - PACKAGING: 100 PIECES PER TRAY B



REV	PCR NO	DESCRIPTION	DATE	BY
B	21662	ADDED NOTE 15	10/23/14	AS
A	21542	NEW RELEASE	8/7/14	EBP

TITLE TL1260GQSCLR				
SCALE	DATE 8/7/2014	DR EBP	DWG B200058	REV B

THE INFORMATION CONTAINED IN THIS DOCUMENT IS PROPRIETARY TO E-SWITCH AND IS NOT TO BE COPIED OR TRANSFERRED